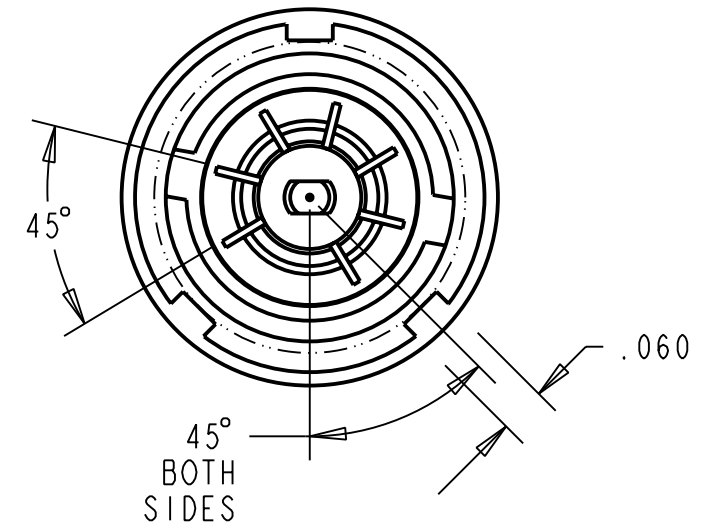
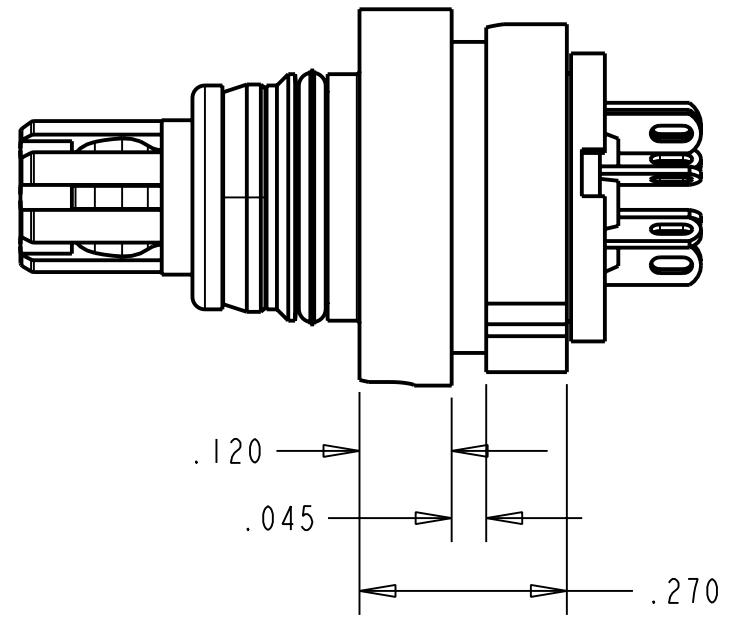
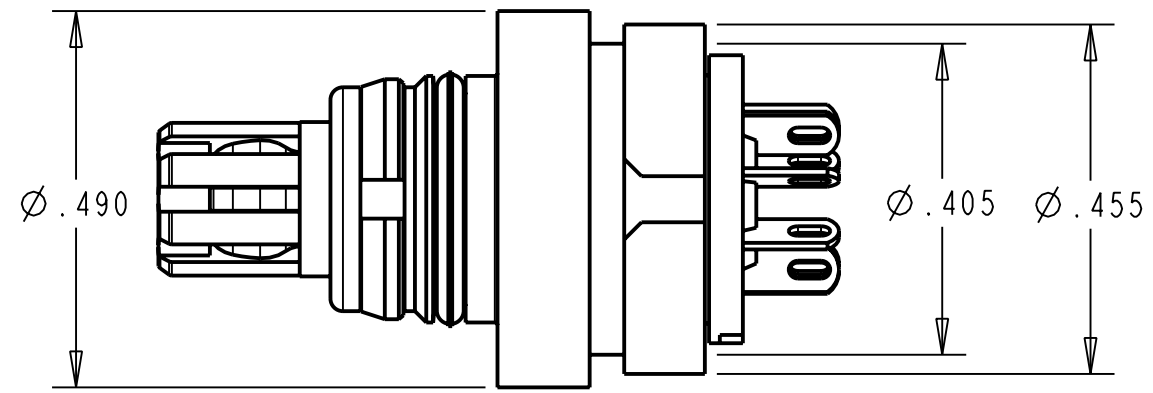


A AP-1170M-CP

**PROPRIETARY - NEXUS**  
**ORDERING PART NUMBER: AP-1170M**



THIS DOCUMENT CONTAINS PROPRIETARY INFORMATION OF NEXUS, INCORPORATED AND SUCH INFORMATION MAY NOT BE DISCLOSED TO OTHERS FOR ANY PURPOSE OR USED FOR ANY PURPOSE WITHOUT THE WRITTEN CONSENT OF NEXUS.

					DWN. BY	LDE	DATE	17-Nov-04	MATERIAL		
					CHECKED BY		DATE		FINISH		
					APPR. BY		DATE		WEIGHT	SCALE = 4.00 : 1	
					UNLESS OTHERWISE SPECIFIED DIMENSIONS ARE IN INCHES TOLERANCES ON			TITLE		NEXUS STAMFORD, CONN	
					.XX	.XXX	ANGLES	PLUG OM SUBASSY			
LET.	REVISION	CN #	DATE	CHK.	±.003			±.5°		SIZE	DWG. NO.
								ORDERING PART NUMBER: AP-1170M		A	AP-1170M-CP
								DO NOT SCALE DWG.		SHEET 1 OF 1	