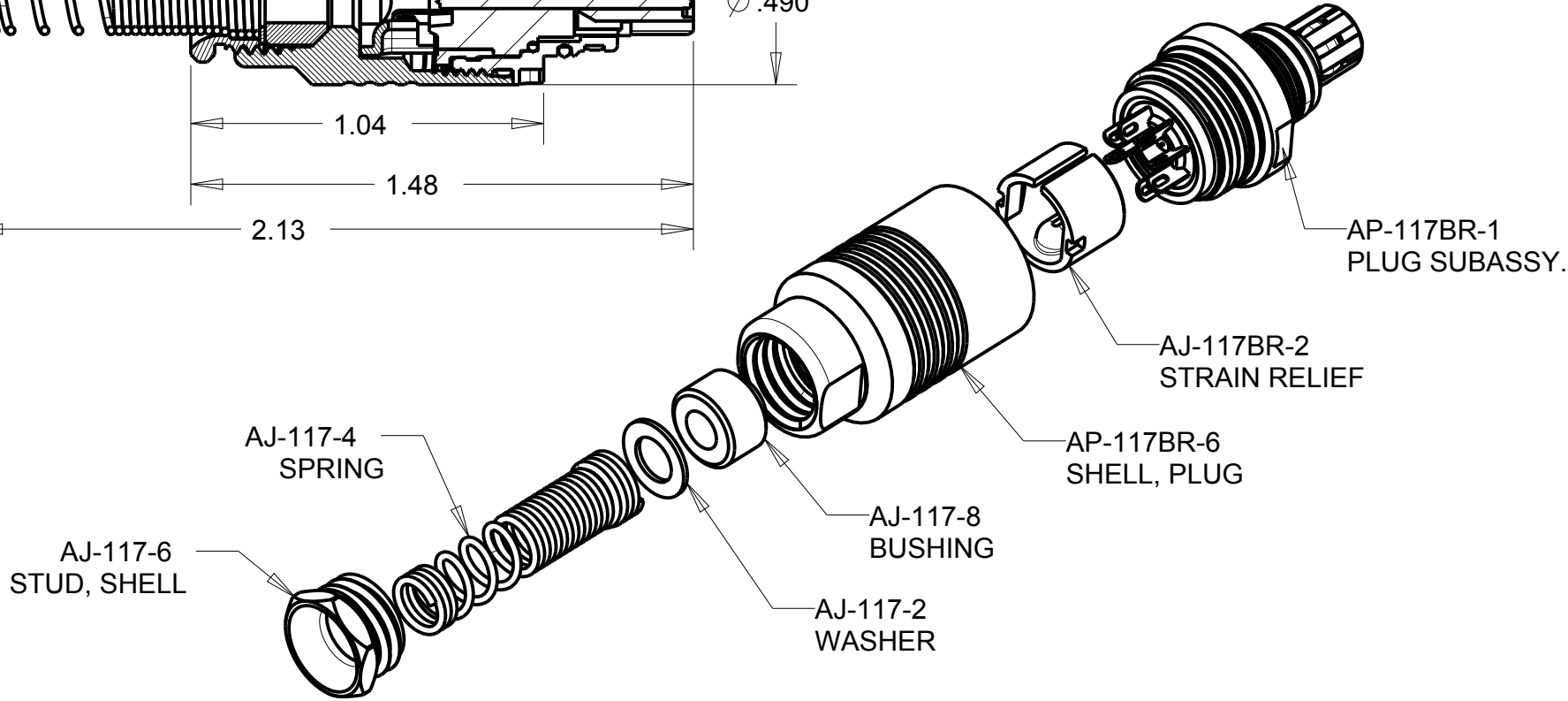
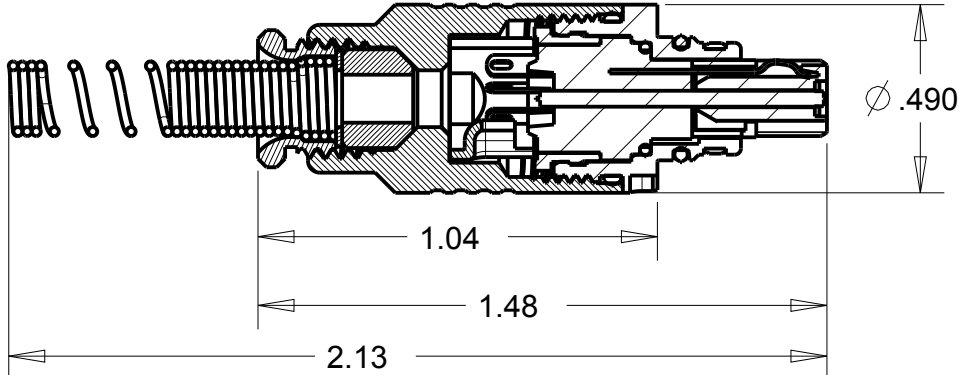


# PROPRIETARY - NEXUS

ORDERING PART NUMBER: AP-117BR

**A** AP-117BR-CP



THIS DOCUMENT CONTAINS PROPRIETARY INFORMATION OF NEXUS, INCORPORATED AND SUCH INFORMATION MAY NOT BE DISCLOSED TO OTHERS FOR ANY PURPOSE OR USED FOR ANY PURPOSE WITHOUT THE WRITTEN CONSENT OF NEXUS.

					DWN.BY <b>LDE</b>	DATE 07-Jul-05	MATERIAL		
					CHECKED BY	DATE	FINISH		
					APPR.BY	DATE	WEIGHT	SCALE = 2.00 :1	
					UNLESS OTHERWISE SPECIFIED: DIMENSIONS ARE IN INCHES & OR [mm]			<h2 style="text-align: center;">NEXUS</h2> <p style="text-align: center;">STAMFORD, CONN</p>	
<b>B</b>	CHG: AJ-117BR-1 TO AP-117BR-1	155	1/30 2013	HR	TOLERANCES: DECIMAL: .XX[X.X] .XXX[X.XX] ± .01[0.3] ± .003[0.08]				SIZE
LET.	REVISION	CN #	DATE	CHK.	FRACTION: XX ± 1/64	ANGLES: X ± .5	<h3 style="text-align: center;">PLUG STRAIN RELIEF</h3> <p style="text-align: center;">ORDERING PART NUMBER: AP-117BR</p>		DWG. NO.
							DO NOT SCALE DWG.	SHEET 1 OF 1	<h1 style="font-size: 2em;">A</h1> AP-117BR-CP