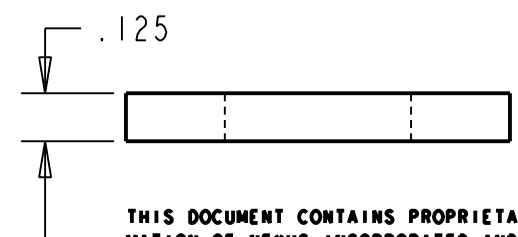
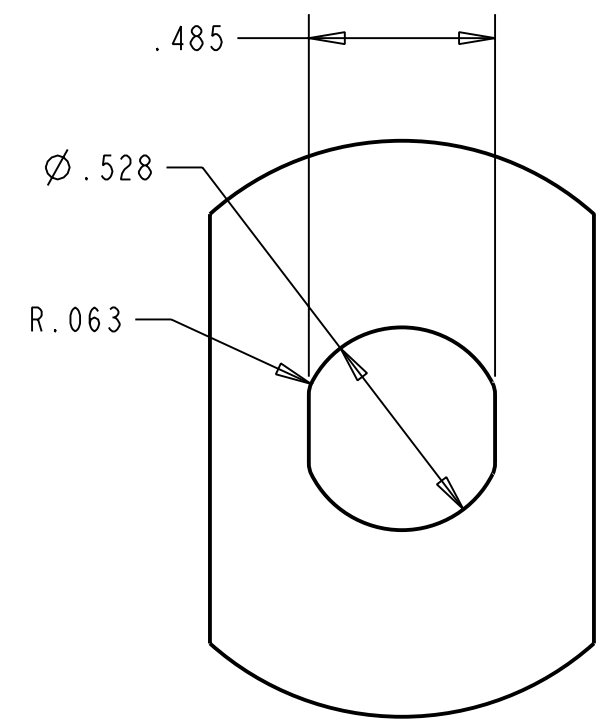
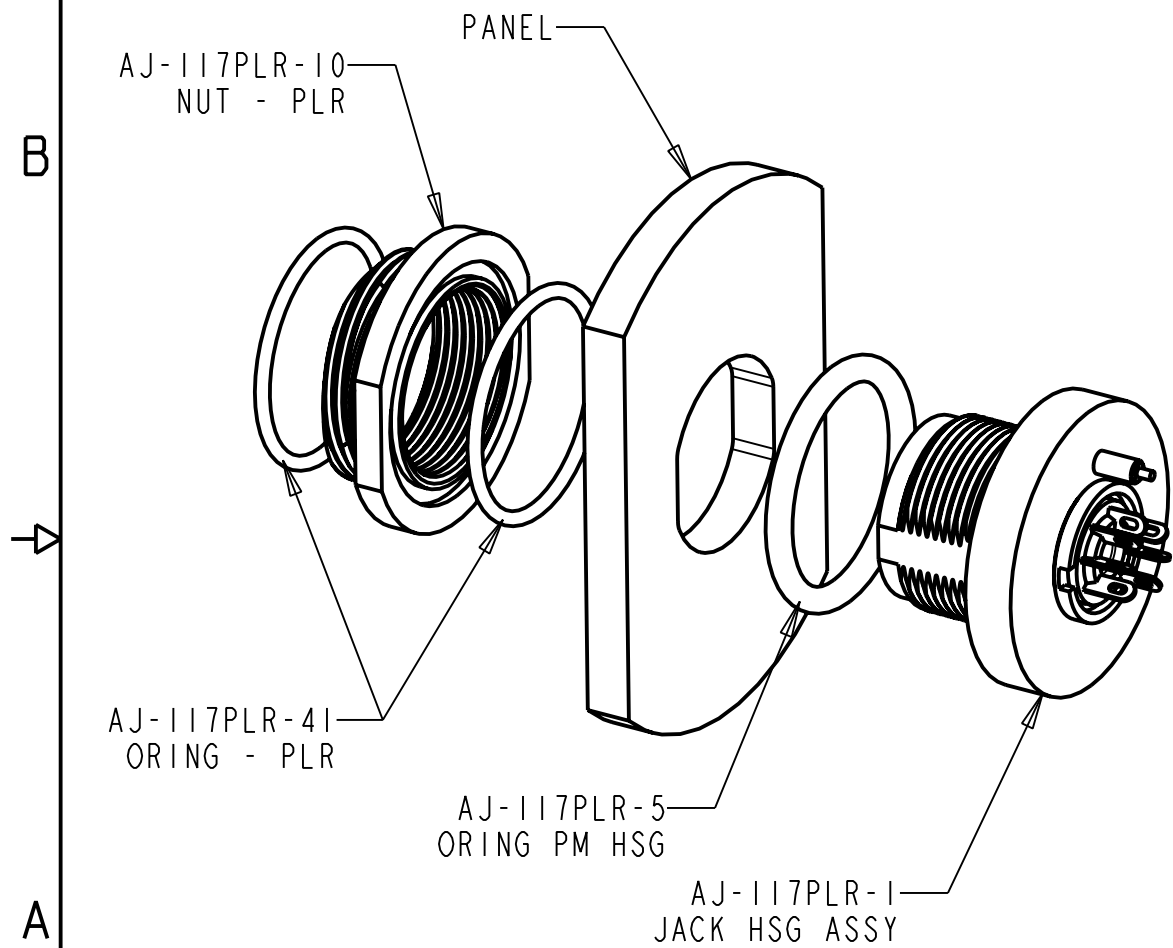


PROPRIETARY - NEXUS

ORDERING PART NUMBER: AJ-117PLR

A AJ-117PLR-CP

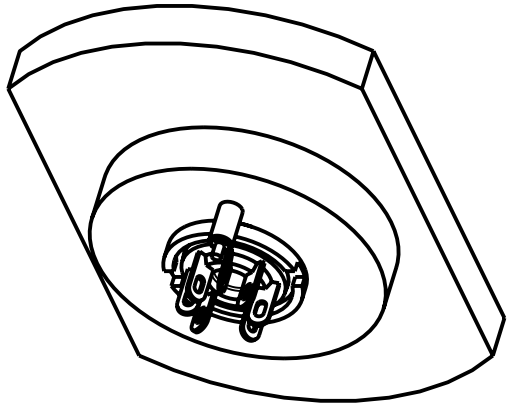
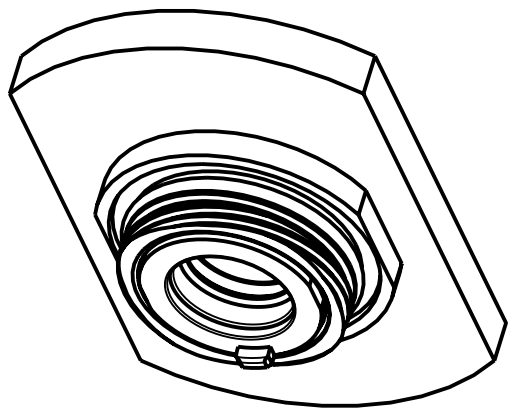
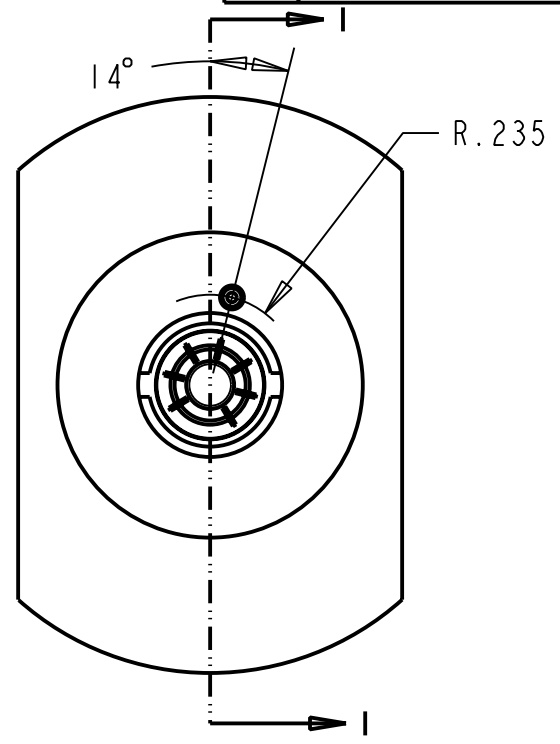
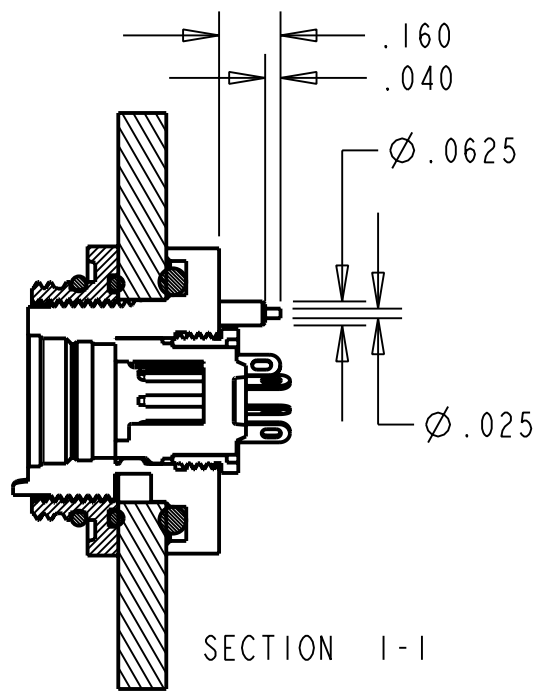
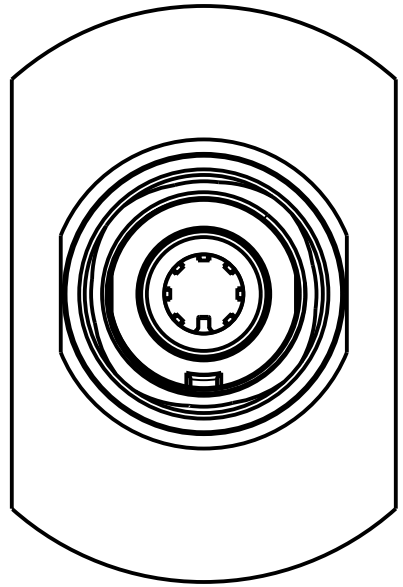


THIS DOCUMENT CONTAINS PROPRIETARY INFORMATION OF NEXUS, INCORPORATED AND SUCH INFORMATION MAY NOT BE DISCLOSED TO OTHERS FOR ANY PURPOSE OR USED FOR ANY PURPOSE WITHOUT THE WRITTEN CONSENT OF NEXUS.

					DWN. BY LDE	DATE 22-Mar-06	MATERIAL	
					CHECKED BY	DATE	FINISH	
					APPR. BY	DATE	WEIGHT _____	
					UNLESS OTHERWISE SPECIFIED DIMENSIONS ARE IN INCHES TOLERANCES ON		SCALE = 2.00 : 1	
					.XX	.XXX	TITLE	
					±.003	±.5°	JACK-PLR ASSEMBLY	
LET.	REVISION	CN #	DATE	CHK.			ORDERING PART NUMBER: AJ-117PLR	
							DO NOT SCALE DWG.	
							SHEET 1 OF 2	
							NEXUS STAMFORD, CONN	
							SIZE	DWG. NO.
							A	AJ-117PLR-CP

2

A AJ-117PLR-CP



THIS DOCUMENT CONTAINS PROPRIETARY INFORMATION OF NEXUS, INCORPORATED AND SUCH INFORMATION MAY NOT BE DISCLOSED TO OTHERS FOR ANY PURPOSE OR USED FOR ANY PURPOSE WITHOUT THE WRITTEN CONSENT OF NEXUS.

LET.	REVISION	CN #	DATE	CHK.

DWN. BY	LDE	DATE	05-Jan-06
CHECKED BY		DATE	
APPR. BY		DATE	
UNLESS OTHERWISE SPECIFIED DIMENSIONS ARE IN INCHES TOLERANCES ON			
.XX	.XXX	ANGLES	±.5°
	±.003		

MATERIAL	
FINISH	
WEIGHT	SCALE = 2.00 : 1
TITLE	
JACK-PLR ASSEMBLY	
DO NOT SCALE DWG.	SHEET 2 OF 2

NEXUS
STAMFORD, CONN

SIZE DWG. NO.
A AJ-117PLR-CP