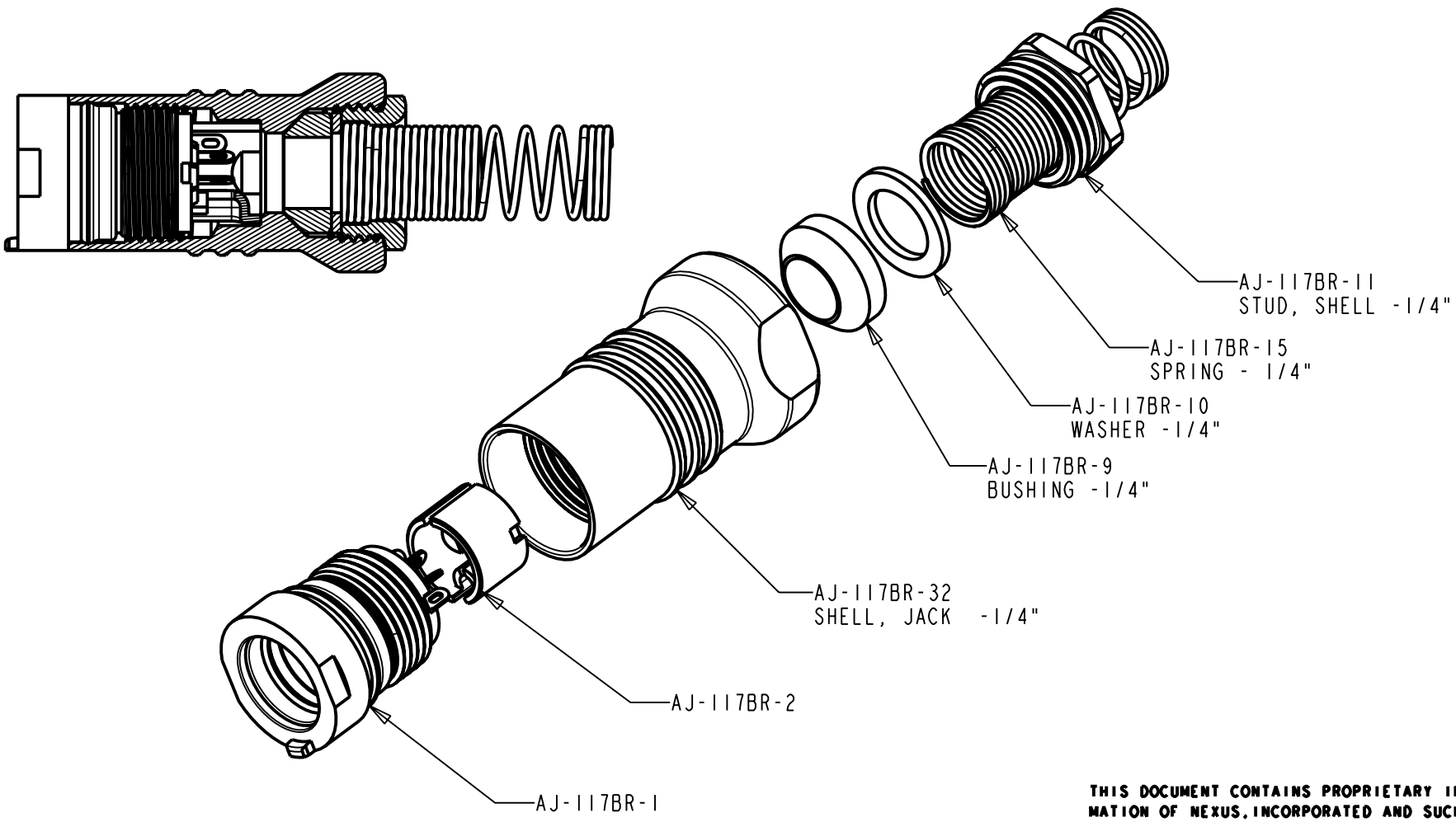


PROPRIETARY - NEXUS

A AJ-117BRXL-CP



THIS DOCUMENT CONTAINS PROPRIETARY INFORMATION OF NEXUS, INCORPORATED AND SUCH INFORMATION MAY NOT BE DISCLOSED TO OTHERS FOR ANY PURPOSE OR USED FOR ANY PURPOSE WITHOUT THE WRITTEN CONSENT OF NEXUS.

					DWN. BY LDE	DATE 08/25/05	MATERIAL	
					CHECKED BY	DATE	FINISH	
					APPR. BY	DATE	WEIGHT	SCALE = 2.00 : 1
					UNLESS OTHERWISE SPECIFIED DIMENSIONS ARE IN INCHES TOLERANCES ON .XX .XXX ANGLES ±.003 ±.5°		TITLE JACK XL-1/4" - STRAIN RELIEF	
LET.	REVISION	CN #	DATE	CHK.			DO NOT SCALE DWG.	SHEET 1 OF 1

NEXUS
STAMFORD, CONN

A AJ-117BRXL-CP