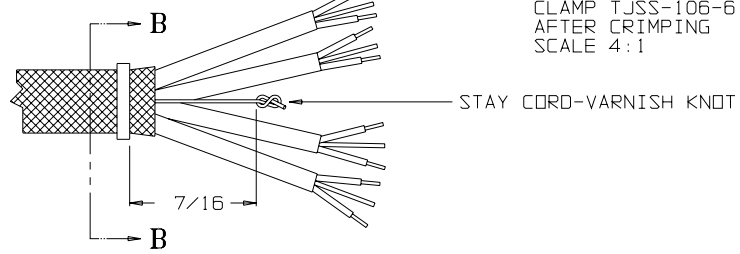
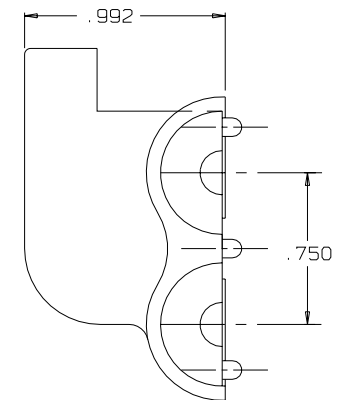
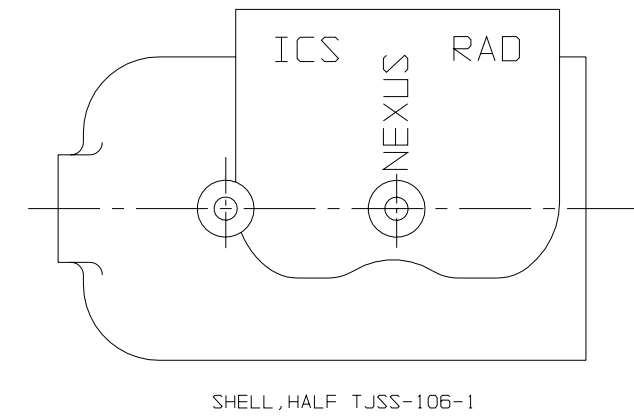
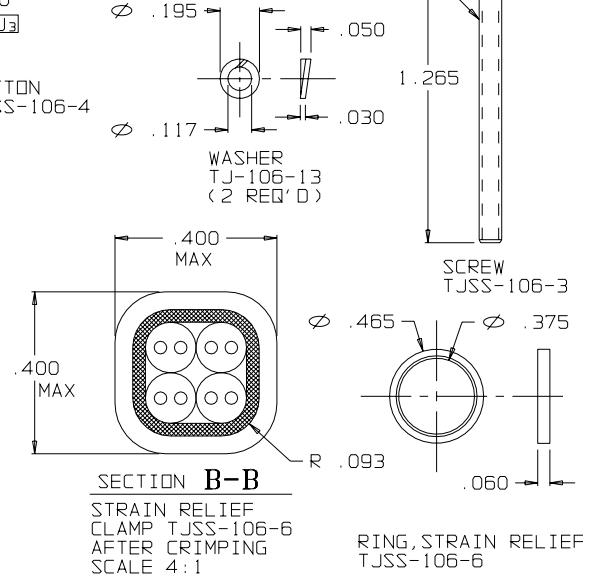
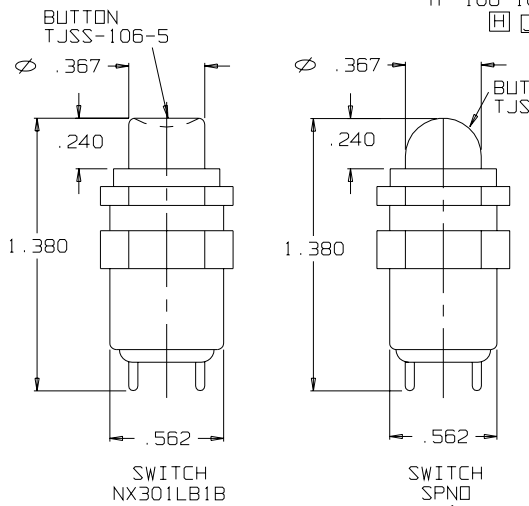
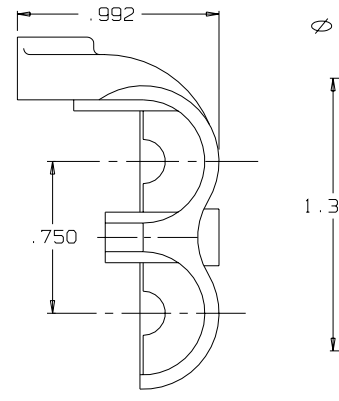
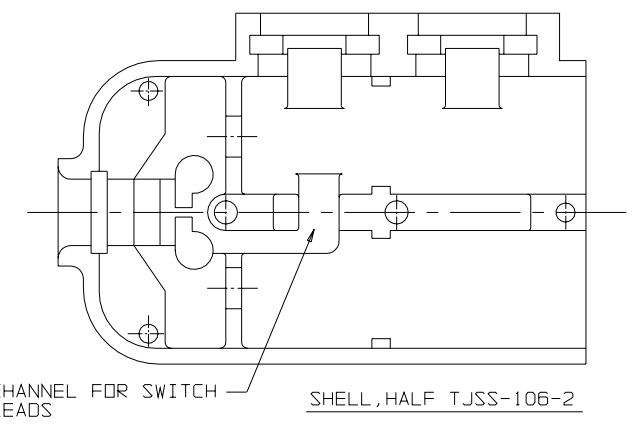
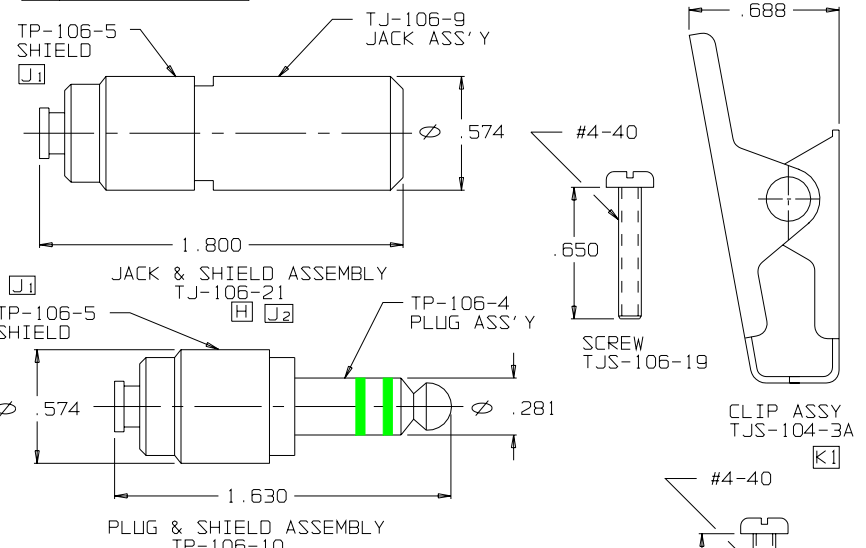
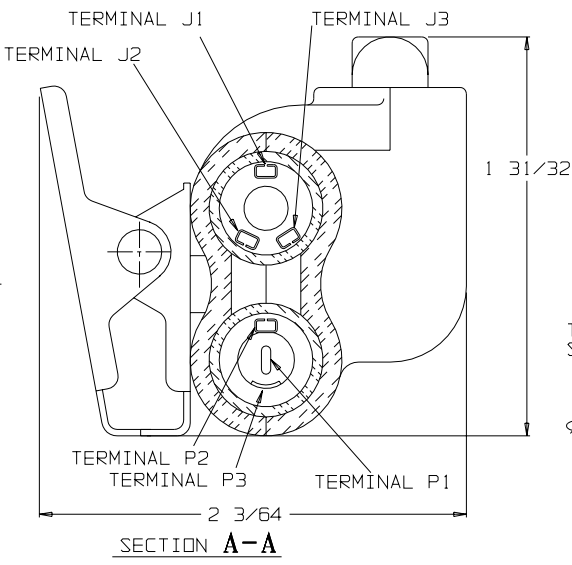
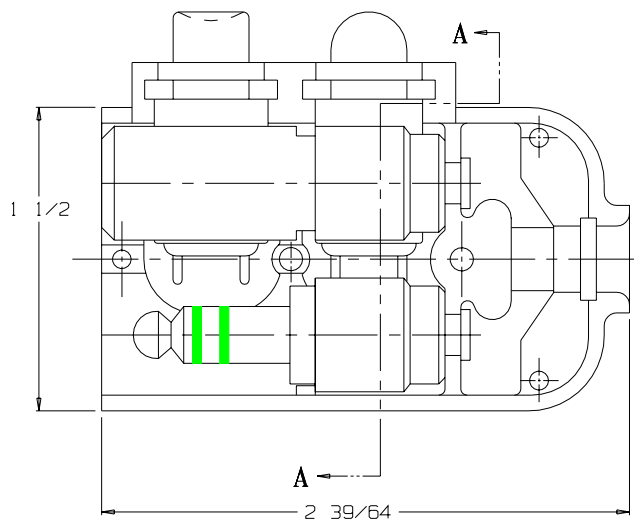


**C TJSS-106**



THIS DOCUMENT CONTAINS PROPRIETARY INFORMATION OF NEXUS, INCORPORATED AND SUCH INFORMATION MAY NOT BE DISCLOSED TO OTHERS FOR ANY PURPOSE OR USED FOR ANY PURPOSE WITHOUT THE WRITTEN CONSENT OF NEXUS.

DWN BY M.N.F.		DATE 2/19/94	MATERIAL	
CHECKED BY L.SMITH		DATE 3/14/96	FINISH	
APPR BY L.SMITH		DATE 3/14/96	WEIGHT	SCALE 2:1
TITLE JACK-TELEPHONE-BIAxIAL SHIELDED (6) CONDUCTOR WITH TWO SWITCHES		SIZE C		
DO NOT SCALE DWG.		SHEET 1 OF 1		

K	1) WAS TJS-104-3	0321	10/7/98	EWT
J	3) WAS TJSS-106-12 2) WAS TJSS-106-13 1) WAS TJSS-106-7	0223	4/2/96	L.S.
H	ADDED P/N'S	0202	11/13/96	L.S.
LET.	REVISION	CN #	DATE	CHK

UNLESS OTHERWISE SPECIFIED DIMENSIONS ARE IN INCHES TOLERANCES ON FRACTIONS DECIMALS ANGLES	
±	1/64 ± .005