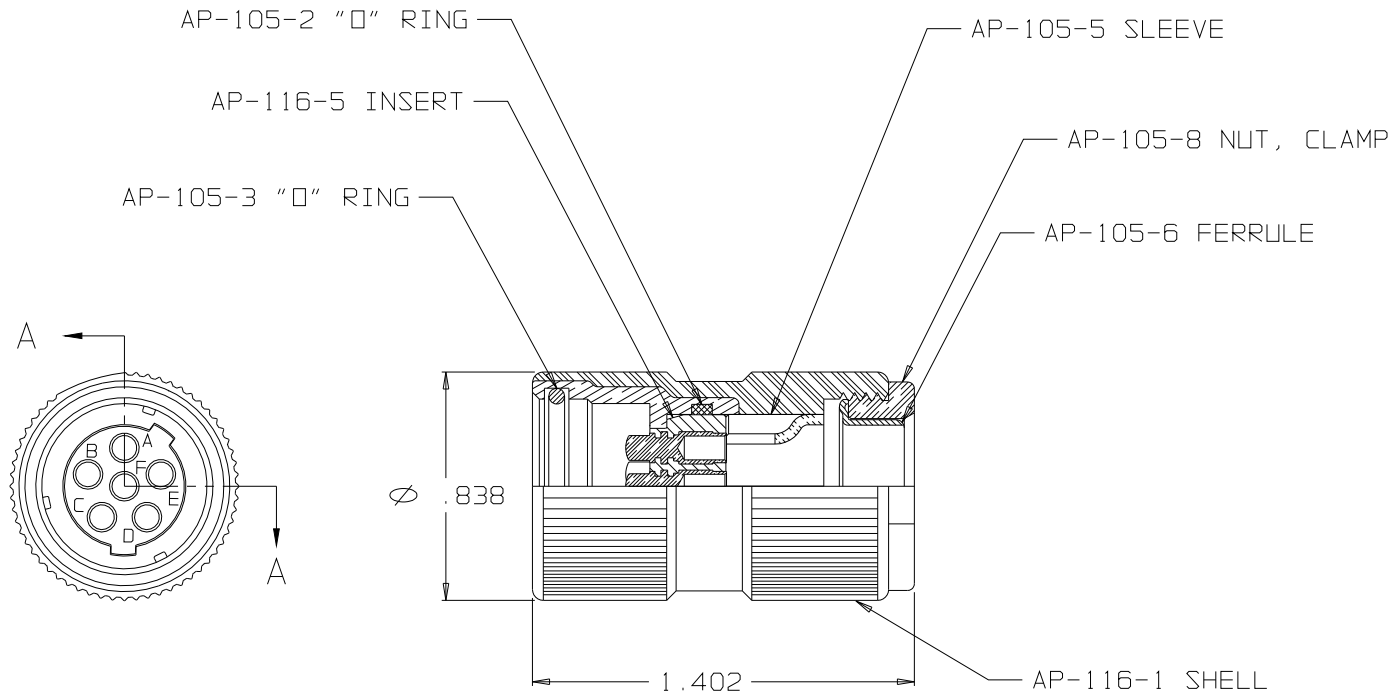


**B** AP-106



NOTE:  
 1) LUBRICATE "O" RINGS (AP-105-2 & AP-105-3)  
 WITH LUBRICANT DC-4 (DOW CORNING CORP.)

THIS DOCUMENT CONTAINS PROPRIETARY INFORMATION OF NEXUS, INCORPORATED AND SUCH INFORMATION MAY NOT BE DISCLOSED TO OTHERS FOR ANY PURPOSE OR USED FOR ANY PURPOSE WITHOUT THE WRITTEN CONSENT OF NEXUS.

A	REVISED		7/7/98	RWF
LET.	REVISION	CN #	DATE	CHK.

DWN. BY	EWT	DATE	7/9/98	MATERIAL
CHECKED BY		DATE		FINISH
APPR. BY		DATE		WEIGHT —
UNLESS OTHERWISE SPECIFIED DIMENSIONS ARE IN INCHES TOLERANCES ON .XX .XXX ANGLES .XX +/- .005				SCALE 2:1
				TITLE
DO NOT SCALE DWG.				SHEET 1 OF 1

**NEXUS**  
 STAMFORD, CONN

SIZE **B** DWG. NO. **AP-106**