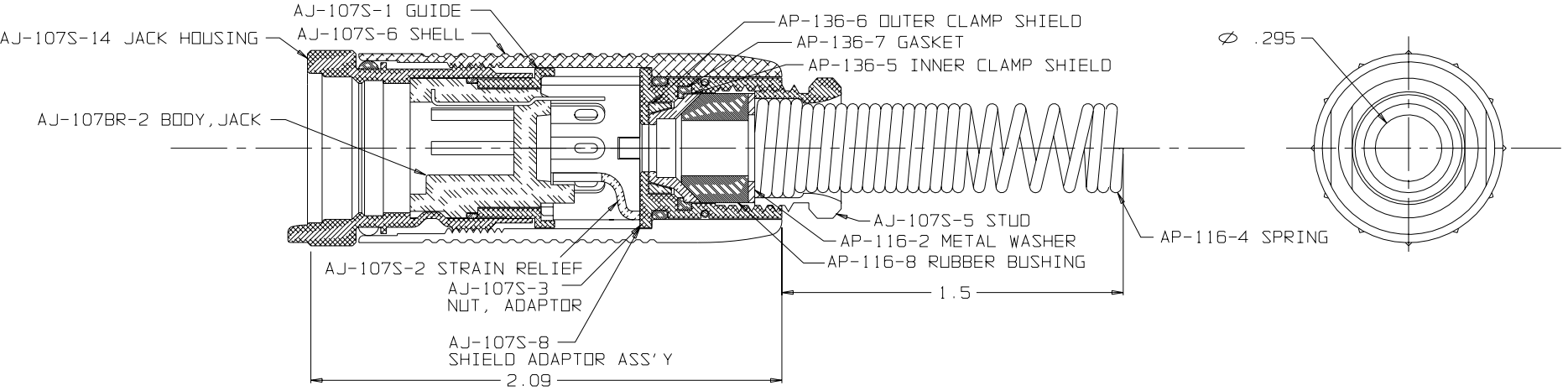
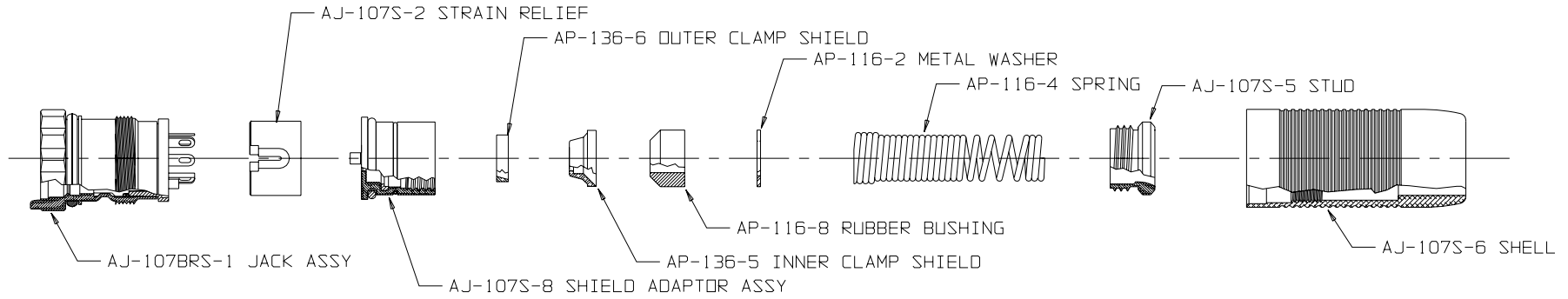


B AJ-107BRS



THIS DOCUMENT CONTAINS PROPRIETARY INFORMATION OF NEXUS, INCORPORATED AND SUCH INFORMATION MAY NOT BE DISCLOSED TO OTHERS FOR ANY PURPOSE OR USED FOR ANY PURPOSE WITHOUT THE WRITTEN CONSENT OF NEXUS.

DWN. BY <i>M.N.F.</i>	DATE 11/22/94	MATERIAL _____	
CHECKED BY L. SMITH	DATE 7/23/96	FINISH _____	
APPR. BY L. SMITH	DATE 7/23/96	WEIGHT _____	SCALE 2:1
UNLESS OTHERWISE SPECIFIED DIMENSIONS ARE IN INCHES TOLERANCES ON FRACTIONS DECIMALS ANGLES — — —		TITLE SEVEN CONDUCTOR SHIELDED AUDIO JACK WITH SPRING BEND RELIEF	
		DO NOT SCALE DWG.	SHEET 1 OF 1
LET. REVISION		CN #	DATE
		CHK.	

NEXUS
STAMFORD, CONN

SIZE DWG. NO.
B AJ-107BRS